

PROUDLY
MADE IN U.S.A.

MONTAGE[®]

by  AMERISTAR[®]



Patented



20 Year Warranty

ORNAMENTAL IRON FENCE

www.AmeristarFence.com



Recycled Steel



To The American Consumer:

“Ornamental Fence is the fastest growing fence product in America over the last decade. No other fence product offers the value, strength, security and maintenance-free ownership of an ornamental fence; if you get what you pay for. As the market grows, so does the number of manufacturers and choices. Everyone wants to get their ‘slice of the pie’. While there are some very high quality fence products available, there are even more that are equally as poor. The latest entries into the market are lightweight, low quality products being imported from several foreign countries, mainly China. Many consumers are falling prey to the lure of extremely low prices, only to discover that the product does not match the investment made. The fragile structure, lightweight construction, poor coating and the need for periodic maintenance far overshadow the cheap price paid. This brochure provides the facts, so you can choose wisely.”



A Product You Can Trust From A Company You Can Be Proud Of

At Ameristar, our demonstrated commitment to product quality is first and foremost in everything we do. Montage is the culmination of over 25 years of demonstrated manufacturing excellence of innovation. No other product on the market today offers the value, features and performance of Montage.



Leading The Way In Environmental Responsibility



Ameristar Fence Products has long been a leading manufacturer in the area of environmental responsibility. We are leading the industry in programs and practices in all areas of manufacturing that reduce our carbon footprint and demonstrate our commitment to environmental stewardship.

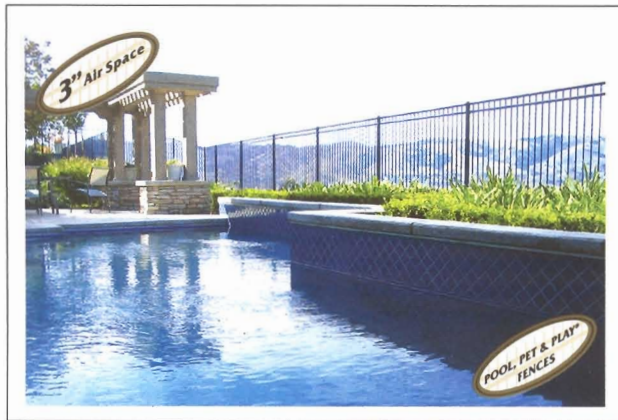
- Montage is produced from 100% domestic steel
- Montage is produced from steel containing up to 97% recycled content
- Montage packaging material contains a minimum of 66% recycled content
- Montage coating process greatly reduces and in some cases, eliminates emissions of harmful gases into the atmosphere
- Ameristar constantly monitors air emissions, storm water runoff and waste water discharge
- Recycle programs for all scrap steel, scrap aluminum, wood, cardboard, plastic scrap, paper and oil products
- Developed programs for reduction of energy consumption

Ameristar has invested tens of millions of dollars in the areas of technological improvements to allow us to reduce our energy consumption and our carbon footprint. Ameristar will continue to make these investments well into the future.



MONTAGE®

The Largest Selection of Features for the Widest Variety of Applications



For Any Enclosure

Although most manufacturers still offer fences with almost a 4" space between pickets as their standard, these designs may put the safety of children or the containment of pets at risk, particularly with aluminum or vinyl (pvc) pickets that can flex 2-1/2 times more than steel. The condensed 3" picket-to-picket spacing of the Montage® Pool, Pet & Play® design exceeds most pool and playground safety codes, keeping pets and children contained without an undue increase over the cost of typical fences that try to economize with the wider spacing.

For Any Climate

Ameristar's maintenance-free "E-Coat" finishing process delivers the surface protection necessary for Montage® endurance in any climate, hot or cold, wet or dry. Ameristar® employs the same cyclic testing technology used in the automotive industry to ensure that Montage® fences will not only endure harsh environments, but will withstand the repeated shifts in weather and temperature and the seasonal changes that amplify the extremes of the meteorological spectrum. The galvanized and e-coated fence system is backed by a 20 Year manufacturer's warranty.



For Any Terrain

As land availability has become more and more scarce, architectural design and construction technology have progressed to enable new facility construction on rough and uneven terrain that was previously considered unfeasible for permanent structures. Montage® ATF® (All Terrain Fence) maintains its rigid strength, while adapting to slopes as severe as a 30 inch rise in an 8 foot run.

For Any Project

Montage® is crafted with an inherent beauty that adds a decorative touch to any residential landscape, whether an individual home, a gated community, or a series of multi-family dwellings. The rigid welded steel construction, enhanced with the Montage Plus® 3/4" picket, makes the fence system structurally suitable for commercial applications such as retail businesses, storage facilities, schools, health care facilities and golf courses and recreational parks.



Proudly Made in the U.S.A. From Recycled American Steel

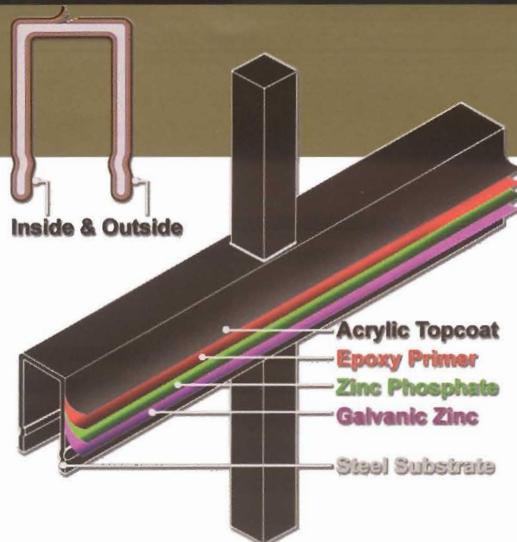
Technologically Advanced

AmeriCoat™

Total Submersion Coating Process

Montage® ornamental panels and posts are actually coated inside and outside. Major corrosion problems start from the inside.

Galvanized steel framework is subjected to a multi-stage pre-treatment/wash (with zinc phosphate), followed by a duplex cathodic electrocoat system consisting of an epoxy primer, which significantly increases corrosion protection, and an acrylic topcoat, which provides the protection necessary to withstand adverse weathering effects.



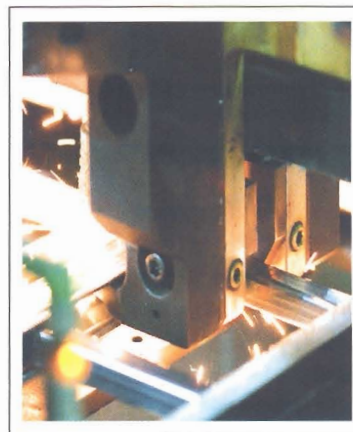
← THIS
Maintenance-free
Surface Backed by
20 Year Warranty!

NOT THIS →
Painted Steel
Destroyed
After 2 Years



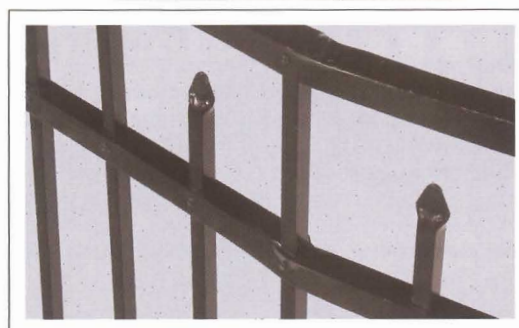
ProFusion Automatic Panel Welding Process

Montage® fence panels are fabricated using Ameristar's revolutionary ProFusion process that combines fusion and laser technology to automatically weld strong, virtually invisible, structural connections without unsightly or insecure fasteners. Lawn equipment, falling limbs, meter readers, rough-housing teenagers - all these can damage or demolish a light-weight aluminum fence. Only welded steel construction stands any chance of surviving such abuse.



← THIS
Welded Steel
Rigidly Withstands
Severe Impact

NOT THIS →
Light U-Channel
Aluminum Ruined
by Minimal Impact



Proudly Made in the U.S.A. From Recycled American Steel

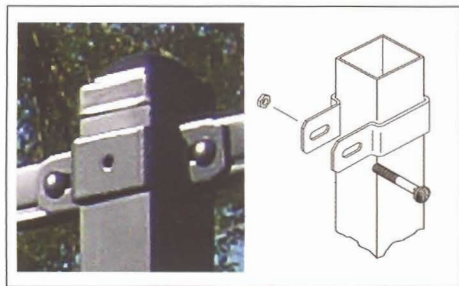
Structurally Superior

Montage™ Welded Steel

Ornamental Aluminum

Strength of Posts

Attractive Boulevard™ brackets mate to all post edges, passing the load to adjacent panels. Fence panels and posts act as single line, flexing only slightly under load.



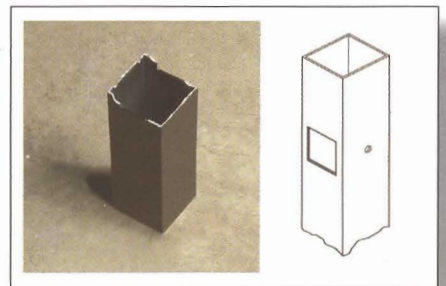
THIS
Rails Held Firmly - Cannot Pull Out

Steel post, 2-1/2 times stronger than aluminum, remains sealed from the elements, uncompromised in structure.

Punched posts, already weakened by losing a fourth of the circumference, cause a severe concentration of load at the post-to-rail junction. The panel, held only by a small screw, bows away from the post, threatening to break free.

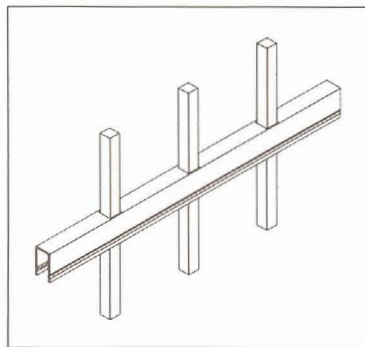


NOT THIS
Weakened Post Breaks Under Concentrated Stress



The holes in punched posts allow water to enter. When this expands during a freeze, the post could burst apart.

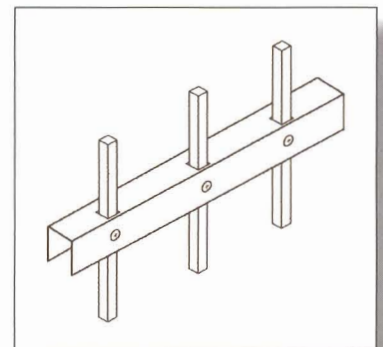
Strength of Picket Connections



THIS
Invisible Rigid Secure Weld

The rigid ProFusion welded panel has permanent connections, making it invulnerable to disassembly attempts.

NOT THIS
Unightly Loose Insecure Screw



The fragile screw connection can be removed in seconds by a child or vibrate loose from turbulent winds.

Test It Yourself
Find Installed Examples
SHAKE Each Fence
Feel The Difference!

Proudly Made in the U.S.A. From Recycled American Steel

Alternatives

Montage ATF™ (All Terrain Fence)

ATF™ (All Terrain Fence) panel design enables the maximum bias for all Montage™ styles. It is the only welded steel fence with the capability to follow severe grade changes and follow uneven ground contours like a second skin.



Capable of
30" Rise In
8' Run



Unsightly
Stair-Step
Installation
Leaves Gaps



Standard Montage™ or Deluxe Montage Plus™

In addition to the stout Montage™ fence system suitable for most applications, Ameristar® offers the deluxe Montage Plus™ for applications requiring extra strength or a more substantial look.

	Montage®	Montage Plus®
Material	Steel	Steel
Picket	5/8" Square	3/4" Square
Rail	0.790" x 0.075" Top 1.235" x 0.075" Sides	1.4375" x 0.072" Top 1.500" x 0.072" Sides
Post	2" Square	2-1/2" Square
Construction	Welded	Welded

Flush Bottom Rail

For some applications like pools, a flush bottom rail may be necessary to meet local building codes or simply to meet an aesthetic preference.



Pool, Pet & Play® 3" Spacing

In many cases related to pools, pets, or children, a narrower space may be required for safety or containment. The Pool, Pet & Play® design offers the optional 3" space.



Proudly Made in the U.S.A. From Recycled American Steel

Distinctively Styled

Elegance

Classic™

Traditional spear-pointed pickets extend through the top rail to form the popular Classic™ design. The picket spear is formed with a 3/8" diameter rounded tip rather than a sharp point.



Warrior™

The look of excellence in a traditional ornamental picket fence is further enhanced by the alternate extension heights that mark the Warrior™ design. This style complements any panorama, giving an elegant look to a property line.

Genesis™

The extended pickets of the Genesis™ form a popular and attractive style that terminates with a simple flat-topped plug. The style is named Genesis™ because it acts as a foundation for creation of multiple custom looks by the addition of decorative finials (see Page 8).



Majestic™

The elegant look of the Majestic™ design lends to its appeal in a wide variety of applications ranging from neighborhood fences to rental facilities, apartments and condominium access control.

Proudly Made in the U.S.A. From Recycled American Steel

MONTAGE®

by **AMERISTAR®**



Adornments / Safety Hardware

Montage® fences can be enhanced with decorative adornments such as rings, finials and ball caps as well as upgrades to safety hardware.



SAFETY LATCH



SPRING HINGE



GRAVITY LATCH



BUTTERFLY SCROLL



SERPENTINE SCROLL



QUAD FLARE FINIAL



TRIAD FINIAL



RING



ROUND BALL POST CAP



Colors



BLACK



BRONZE

Gates

Ameristar® builds a comprehensive line of gates from standard swing gates matching the Montage fence styles to custom Arched Swing Gates, Estate Entry Gates, and Cantilever Slide Gates.



TRANSPORT® CANTILEVER GATE



SWING GATE



ARCHED SWING GATE



ESTATE ENTRY GATE



Printed in U.S.A.

ORNAMENTAL IRON FENCE

www.AmeristarFence.com



1555 N. Mingo Road
Tulsa, OK 74116
1-888-333-3422

Rev. 04/10